

SPRAYING TECHNOLOGY SINCE 1997



ZANONI TRANSFER PUMPS: EASY HANDLING OF CORROSIVE PRODUCTS



USA: +1 6164371255
+55 (44) 99864-6200
+55 (44) 99864-4747



sales@zanoniequipamentos.com.br
www.zanoniequipamentos.com.br
mark@turbineconversions.com



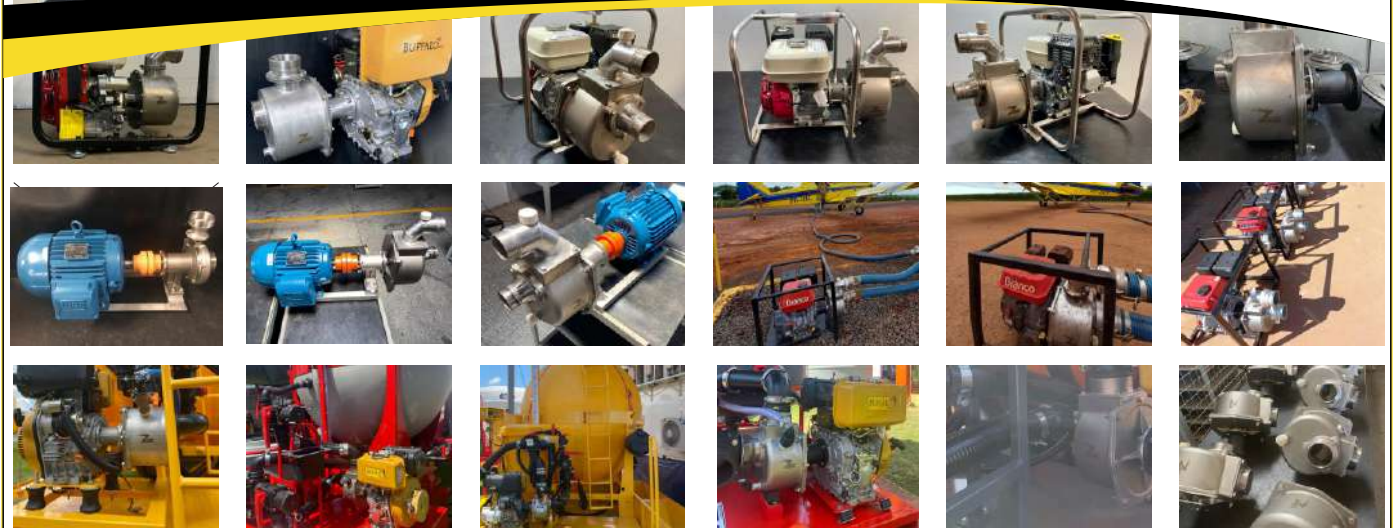
Rodovia BR 376
Distrito Industrial
Paranavaí/PR - Brasil



THE ZANONI TRANSFER PUMPS

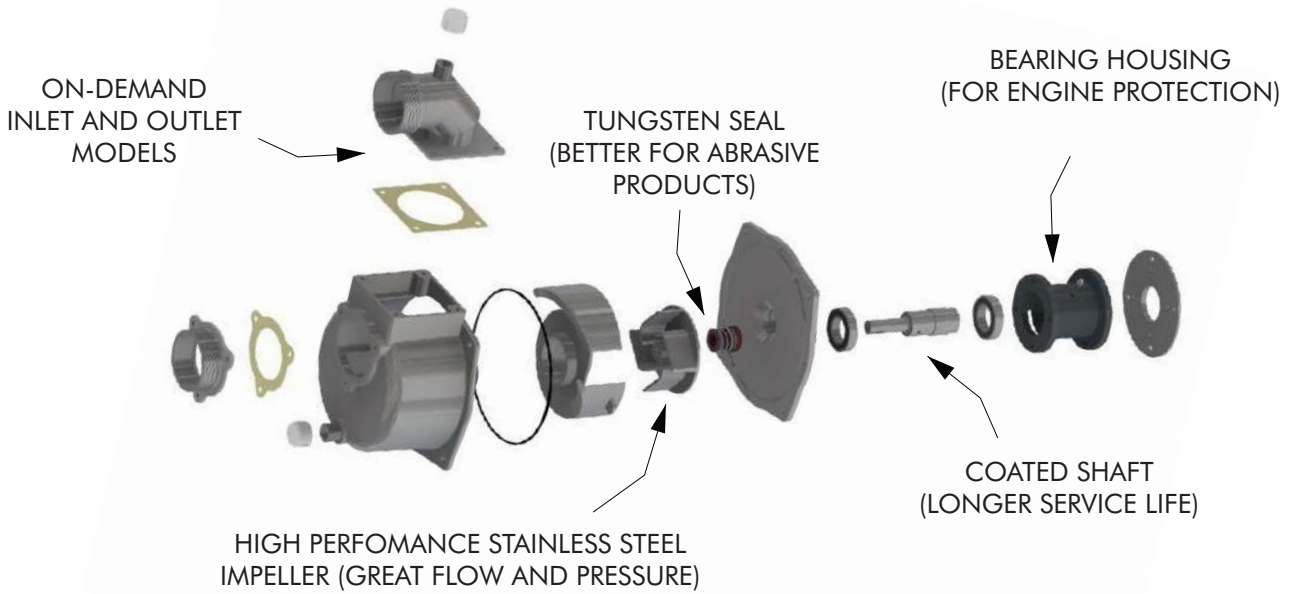


- 100% stainless steel, most corrosion-resistant material for agrochemicals.
- Design made to preserve the engine.
- Most used transfer pump in the Brazilian ag spray market.
- More than 1500 pumps produced annually.
- Used by the main manufacturers of chemical inductors in South America.





THE ZANONI TRANSFER PUMPS



2" PUMPS FOR 3/4" SHAFT ENGINES



3" PUMPS FOR 3/4" SHAFT ENGINES



3" PUMPS FOR 1" SHAFT ENGINES



2" PUMP WITH HONDA GX200 ENGINE



3" PUMP WITH HONDA GX200 ENGINE



3" PUMP WITH HONDA GX270 ENGINE



3" PUMP WITH HONDA GX390 ENGINE



3" PUMP WITH ELECTRIC ENGINES (7.5CV, 10CV, 15CV)



12V AND 24V ELECTRIC STAINLESS STEEL PUMP